

REDLINE / WEBER CARBURETORS

34 ICT

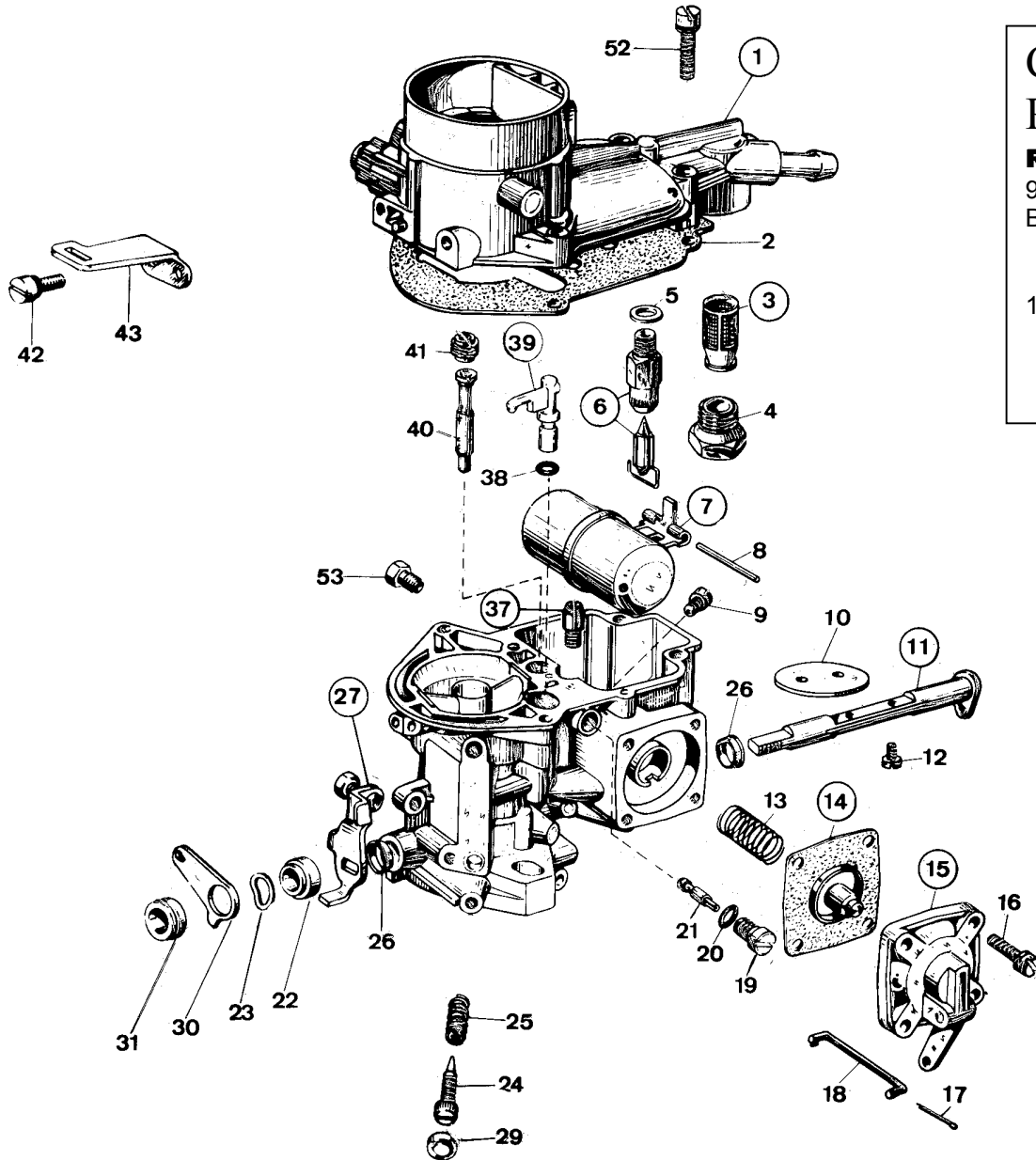
15290 027 34 ICT

Common Parts

Rebuild kit

92-0286-05
Base gasket
99024-417

14) 47407-016



Standard float setting is 6 to 6.5mm measured top of float to gasket not loading spring loaded ball on needle.

Float setting notes

1. Fuel pressure is critical to float spillage. Redline recommends 2.5 to 3 lbs.
2. For aggressive off-road float drop limited to 8 mm max drop. Measured float to gasket

KEY CALIBRATED PARTS

- 11) 79516-xxx Needle and seat (Steel needle)
79519-xxx (Viton performance needle)
- 12) 41015-011 Brass Float
- 9) 73801-xxx Main Jet
- 41) 77201-xxx Air corrector Jet
- 21) 74409-xxx Idle Jet
- 19) 52570-009 Idle Jet Holder
- 37) 79701-xxx Pump By-Pass Jet
- 39) 76407-xxx Accelerator pump Jet