

REDLINE / WEBER CARBURETORS

32/36 DGEV-DGAV

PROGRESSIVE SERIES
22680 033B DGEV
22680 051 DGAV

Common Parts

Rebuild kit

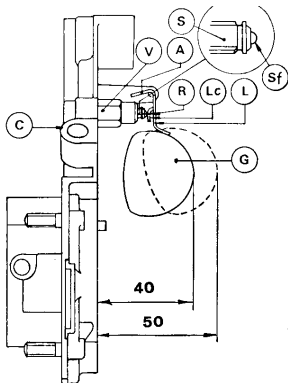
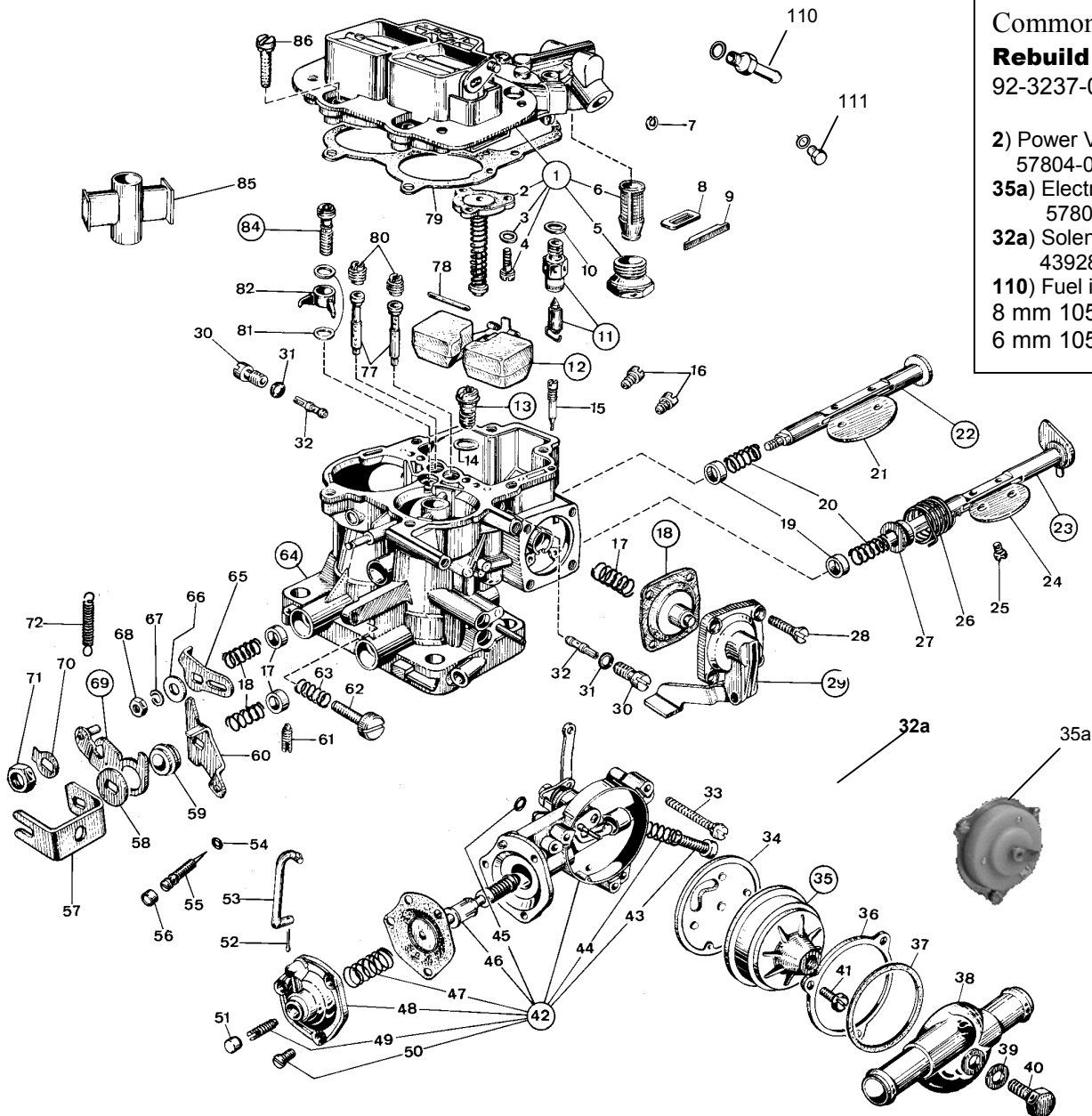
92-3237-05

2) Power Valve
57804-097

35a) Electric choke
57804-333

32a) Solenoid
43928-060

110) Fuel inlet
8 mm 10525 023
6 mm 10525 024



Float setting notes

1. Fuel pressure is critical to float spillage. Redline recommends 2.5 to 3 lbs.
2. For aggressive off-road float drop should be limited to 44 .5 mm max drop.

KEY CALIBRATED PARTS

- 11) 79516-xxx Needle and seat (Steel needle)
79519-xxx (Viton performance needle)
- 12) 41030-019 Brass Float
41030-020 Nitrofill Float
- 16) 73801-xxx Main Jet
- 80) 77201-xxx Air corrector Jet
- 32) 74409-xxx Primary Idle Jet (choke side)
74403-xxx Secondary Idle Jet (Inlet Side)
some early models have 74403-xxx on both sides
- 82) 76226-xxx Accelerator pump Jet
76212-xxx Performance Double pump jet